



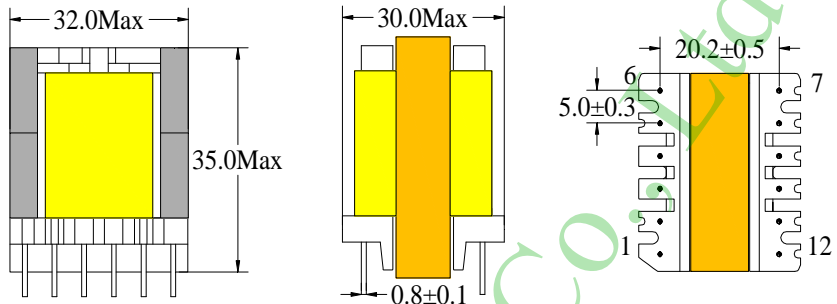
High-frequency transformer

ER28 Series

Parameters/Dimensions:

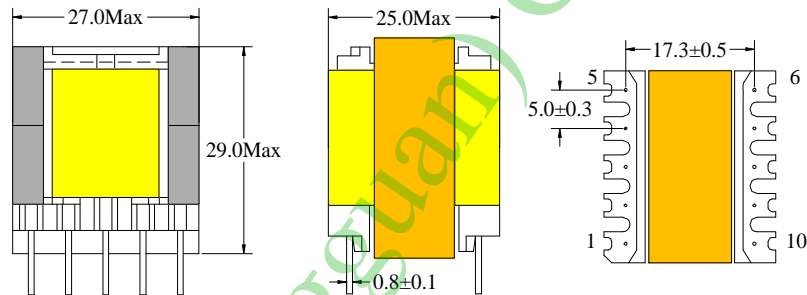
ER28 Type 1

- Information:
 Shape:ER28
 1 Power:85W
 2 Mounting Orientation: Vertical
 3 Size: 32 (W) * 30(L) * 35 (H)
 4 Effective Ae (mm²): 88.3



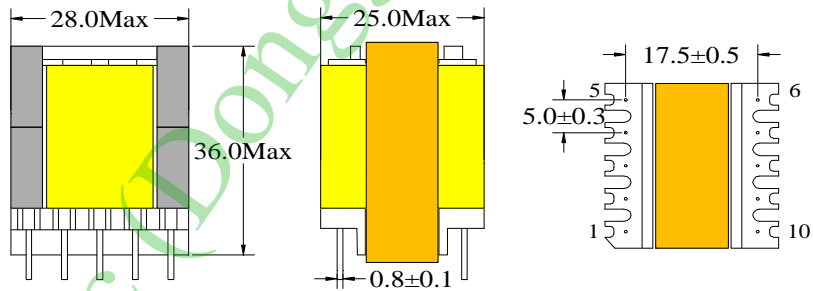
ER28 Type 2

- Information:
 Shape:ER28
 1 Power:85W
 2 Mounting Orientation: Vertical
 3 Size: 27 (W) * 25(L) * 29(H)
 4 Effective Ae (mm²): 88.3



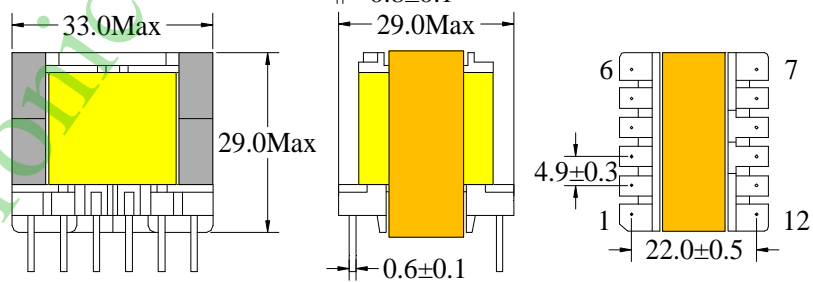
ER28 Type 3

- Information:
 Shape:ER28
 1 Power:85W
 2 Mounting Orientation: Vertical
 3 Size: 28 (W) * 25(L) * 36(H)
 4 Effective Ae (mm²): 88.3



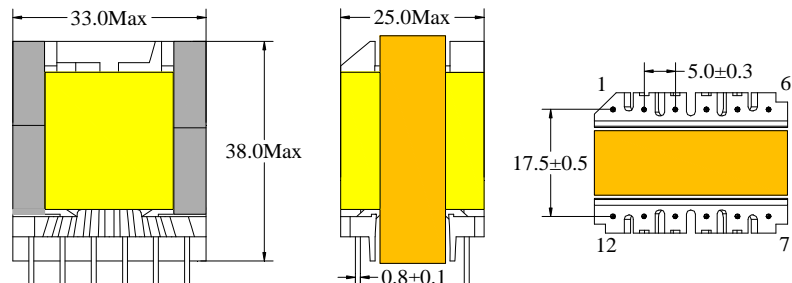
ER28 Type 4

- Information:
 Shape:ER28
 1 Power:85W
 2 Mounting Orientation: Vertical
 3 Size: 33 (W) * 29(L) * 29(H)
 4 Effective Ae (mm²): 88.3



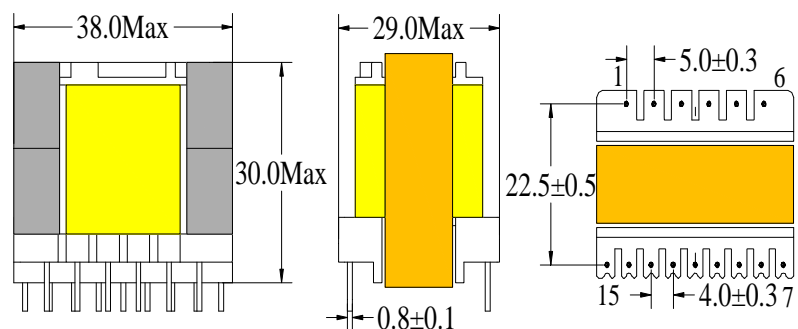
ER28 Type 5

- Information:
 Shape:ER28
 1 Power:85W
 2 Mounting Orientation: Vertical
 3 Size: 33 (W) * 25(L) * 38(H)
 4 Effective Ae (mm²): 88.3



ER28 Type 6

- Information:
 Shape:ER28
 1 Power:85W
 2 Mounting Orientation: Vertical
 3 Size: 38 (W) * 29(L) * 30(H)
 4 Effective Ae (mm²): 88.3





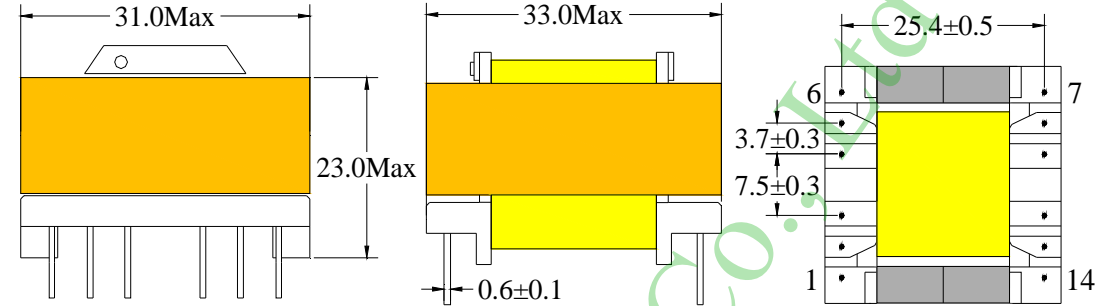
High-frequency transformer

ER28 Series

Parameters/Dimensions:

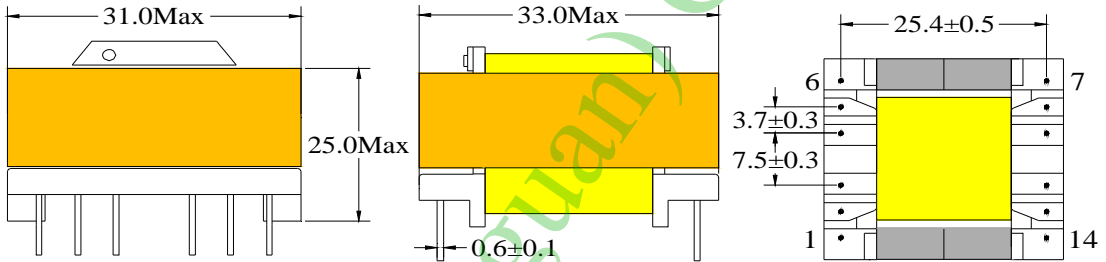
ER28 Type 7

- Information:
 Shape:ER28
 1 Power:85W
 2 Mounting Orientation: Horizontal
 3 Size: 31 (W) *33(L) * 23(H)
 4 Effective Ae (mm2): 88.3



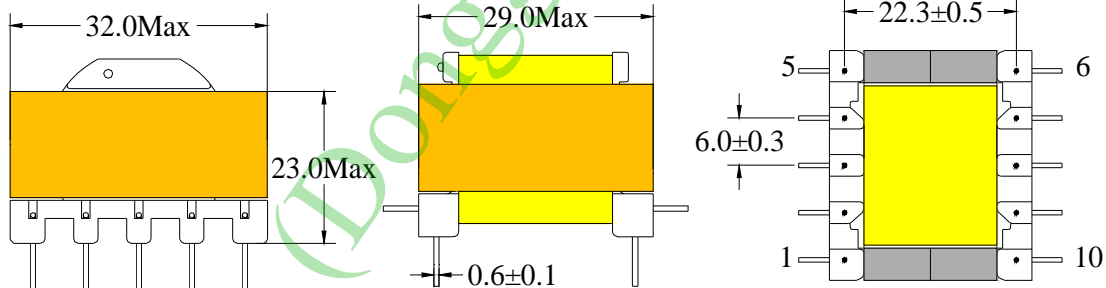
ER28 Type 8

- Information:
 Shape:ER28
 1 Power:85W
 2 Mounting Orientation: Horizontal
 3 Size: 31 (W) *33(L) * 25(H)
 4 Effective Ae (mm2): 88.3



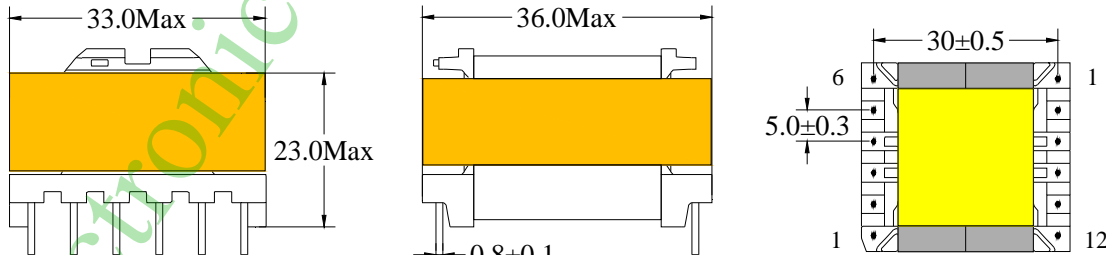
ER28 Type 9

- Information:
 Shape:ER28
 1 Power:85W
 2 Mounting Orientation: Horizontal
 3 Size: 32 (W) *29(L) * 23(H)
 4 Effective Ae (mm2): 88.3



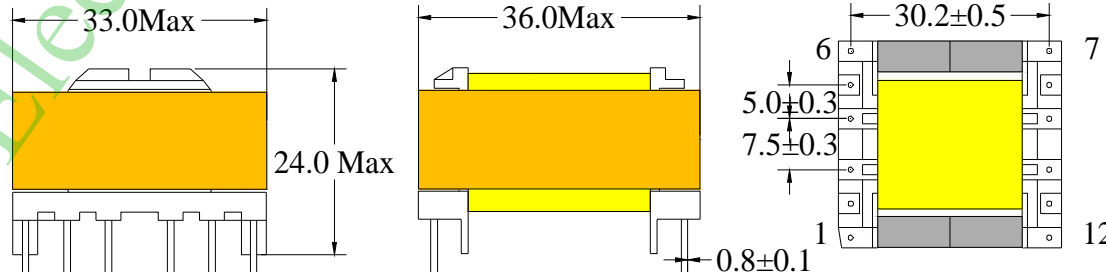
ER28 Type 10

- Information:
 Shape:ER28
 1 Power:85W
 2 Mounting Orientation: Horizontal
 3 Size: 33 (W) *36(L) * 23(H)
 4 Effective Ae (mm2): 88.3



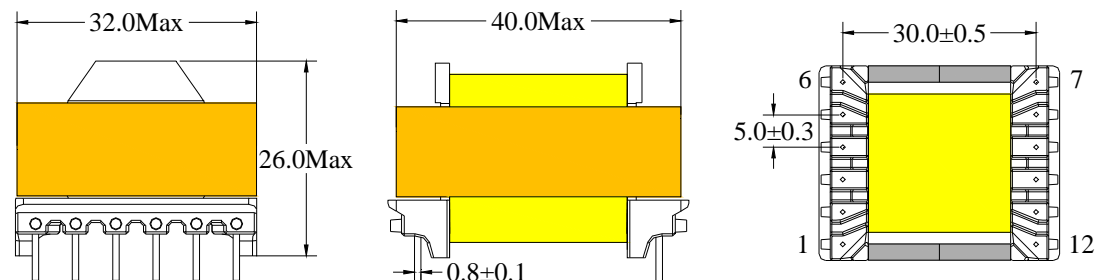
ER28 Type 11

- Information:
 Shape:ER28
 1 Power:85W
 2 Mounting Orientation: Horizontal
 3 Size: 33 (W) *36(L) * 24(H)
 4 Effective Ae (mm2): 88.3



ER28 Type 12

- Information:
 Shape:ER28
 1 Power:85W
 2 Mounting Orientation: Horizontal
 3 Size: 32 (W) *40(L) * 26(H)
 4 Effective Ae (mm2): 88.3





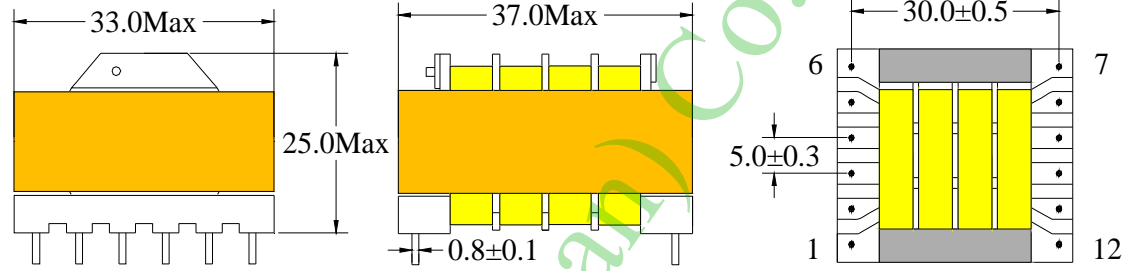
High-frequency transformer

ER28 Series

Parameters/Dimensions:

ER28 Type 13

- Information:
- 1 Shape:ER28
 - 2 Power:85W
 - 3 Mounting Orientation: Horizontal
 - 4 Size: 33 (W) *37(L) * 25(H)
 - 5 Effective Ae (mm2): 88.3



Note:

Bobbin type listed in the traditional style, transformer design parameters to customer needs or to inject prevail.

ER series high-frequency transformer features:

Coupled good location, in the column for the round, easy winding and winding area increases, can be designed to power large and small leakage inductance of the transformer.

Uses:

TV power supply, display, switching power supply, navigation, LED power supply